

I. Windlasses



VXI Vertical Windlass

The VXI is the first in the new generation of windlasses from Lewmar. Using cutting-edge moulding techniques, Lewmar is able to offer new technologies to refine windlass design and improve noise levels. Taking the tough and elegant lines of the V series, Lewmar have strived to remove excess weight - replacing heavy materials with modern composites - while retaining strength. A new motor-gearbox package has created our most efficient and powerful windlass, optimised for top anchoring performance. This makes our VX range lighter, stronger and more efficient than any competitor on the market.

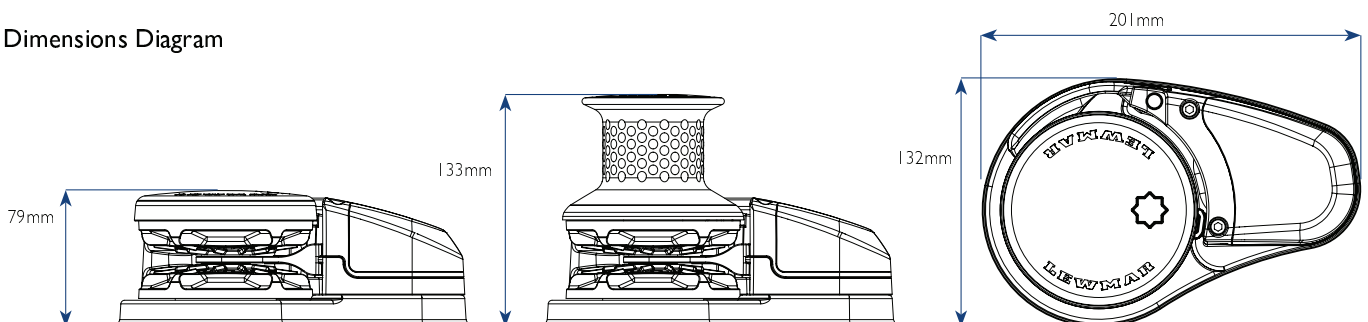
- The VXI offers a maximum pull of 675kg, for boats up to 40ft
- 2 Hybrid Gypsy options: 6/7mm (1/4") & 8mm (5/16")
- 2 motor sizes: 300 & 500W
- Optimised motor-gearbox for enhanced performance
- Lightweight composite construction



VXI Specifications

| MODEL | MAX PULL | | WORKING LOAD LIMIT | | MAX LINE SPEED | | NORMAL CURRENT DRAW AMP | CIRCUIT BREAKER AMP | APPROX WEIGHT GO | | APPROX WEIGHT GD | |
|-------|----------|------|--------------------|-----|----------------|--------|----------------------------|------------------------|---------------------|----|---------------------|----|
| | KG | LB | KG | LB | M/MIN | FT/MIN | | | KG | LB | KG | LB |
| 300W | 400 | 882 | 100 | 220 | 25 | 82 | 66 | 50 | 12.5 | 28 | 13.5 | 30 |
| 500W | 675 | 1488 | 169 | 373 | 25 | 82 | 126 | 70 | 12.5 | 28 | 13.5 | 30 |

Dimensions Diagram



VX1 Features

Deck unit

The Lewmar VX windlass range offers a new entry-level windlass product, giving the end user a stylish yet functional product at a competitive price point. Consisting of a cast aluminium core with composite outer and finished in a stainless steel pressing, giving the VX1 its stylish design.

- Manual clutch release
- Drum option
- Stylish stainless steel and composite construction
- Same footprint as LewmarV1 model



IP67 Rated Motor Gear Box

This will be the first ingress protection (IP) cover that Lewmar has offered on a windlass of this size. The cover is standard on all the VX windlass range.

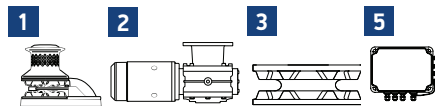
Features:

- Silicone sealant free assembly
- Orientation flexibility that can be set by the end user
- Self-certified to Ingress Protection level 67 and to EN 60529
- This new IP cover is not backwards compatible with any RMI40 gearbox and not available on the V1, CPX0 700w or CPX1 windlasses.
- Motor sizes: 300W or 500W

VX1 Standard Windlass Kits

| PART NUMBER | DESCRIPTION |
|-------------|--|
| 69100020 | VX1 GD DECK UNIT 6/7MM 1/4" ST/ST 300W |
| 69100021 | VX1 GD DECK UNIT 6/7MM 1/4" ST/ST 500W |
| 69100022 | VX1 GD DECK UNIT 8MM 5/16" ST/ST 300W |
| 69100023 | VX1 GD DECK UNIT 8MM 5/16" ST/ST 500W |
| 69100024 | VX1 GD DECK UNIT 6/7MM 1/4" ST/ST 300W |
| 69100025 | VX1 GD DECK UNIT 6/7MM 1/4" ST/ST 500W |
| 69100026 | VX1 GD DECK UNIT 8MM 5/16" ST/ST 300W |
| 69100027 | VX1 GD DECK UNIT 8MM 5/16" ST/ST 500W |

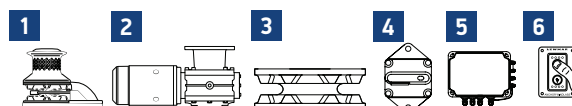
Standard windlass kit includes deck unit, motor gearbox, solenoid and gypsy



VX1 Extended Windlass Kits

| PART NUMBER | DESCRIPTION |
|-------------|--|
| 69100030 | VX1 GD DECK UNIT 6/7MM 1/4" ST/ST 300W |
| 69100031 | VX1 GD DECK UNIT 6/7MM 1/4" ST/ST 500W |
| 69100032 | VX1 GD DECK UNIT 8MM 5/16" ST/ST 300W |
| 69100033 | VX1 GD DECK UNIT 8MM 5/16" ST/ST 500W |
| 69100034 | VX1 GD DECK UNIT 6/7MM 1/4" ST/ST 300W |
| 69100035 | VX1 GD DECK UNIT 6/7MM 1/4" ST/ST 500W |
| 69100036 | VX1 GD DECK UNIT 8MM 5/16" ST/ST 300W |
| 69100037 | VX1 GD DECK UNIT 8MM 5/16" ST/ST 500W |

Extended windlass kit includes deck unit, motor gearbox, solenoid, gypsy, rocker switch and circuit breaker



7 Optional Accessories

Deck Spacer Kits

Min. recommended deck thickness is 40mm. 15mm VX1 & VX2/3 deck spacer kit used for decks with a thickness of 10mm - 25mm.

| | PART NO. |
|---------|----------|
| vx1/z/3 | 66100143 |



Switch kit and accessories see page 49-58

I. Windlasses



VXIL Vertical Windlass

VXIL offers the same design features as the rest of the VX range, but with a compact in-line motor solution. The VXIL model is fitted with a refined motor and epicyclical gearbox combined with a small, compact and efficient motor. The VXIL is a great addition to our vertical windlass range, without compromising performance and freeing up space below deck.

The VXIL offers a maximum pull of 920kg, providing strong performance and robust design for boats up to 36ft.

- Manual clutch release
- Drum option
- Stylish stainless steel and composite construction
- 500W & 800W 12V motors available



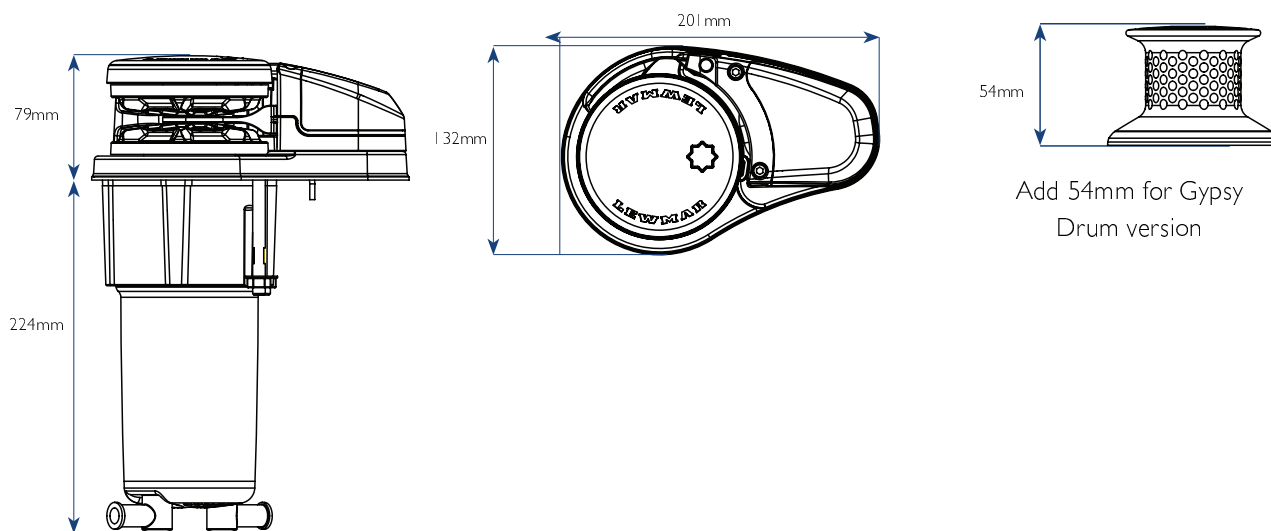
VXIL Specifications

| MODEL | MAX PULL | | WORKING LOAD LIMIT | | MAX LINE SPEED | | NORMAL CURRENT DRAW AMP | CIRCUIT BREAKER AMP | APPROX WEIGHT GO | | APPROX WEIGHT GD | |
|-------|----------|------|--------------------|-----|----------------|--------|----------------------------|------------------------|---------------------|-----|---------------------|----|
| | KG | LB | KG | LB | M/MIN | FT/MIN | | | KG | LBS | KG | LB |
| 500W | 650 | 1433 | 160 | 352 | 20 | 60 | 75 | 70 | 8 | 18 | 8.5 | 19 |
| 800W | 920 | 2028 | 230 | 507 | 21 | 63 | 105 | 90 | 8 | 18 | 8.5 | 19 |

Windlass performance values are tested using +/-10% 12 voltage simulating the operation parameters of an installed battery system of a boat.



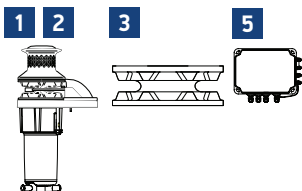
Dimensions Diagram



VX1L Standard Windlass Kits

| PART NUMBER | DESCRIPTION |
|-------------|--------------------------------|
| 69100050 | VX1L GO 500 6/7MM 1/4" STD KIT |
| 69100051 | VX1L GO 800 6/7MM 1/4" STD KIT |
| 69100052 | VX1L GO 500 8MM 5/16" STD KIT |
| 69100053 | VX1L GO 800 8MM 5/16" STD KIT |
| 69100054 | VX1L GD 500 6/7MM 1/4" STD KIT |
| 69100055 | VX1L GD 800 6/7MM 1/4" STD KIT |
| 69100056 | VX1L GD 500 8MM 5/16" STD KIT |
| 69100057 | VX1L GD 800 8MM 5/16" STD KIT |

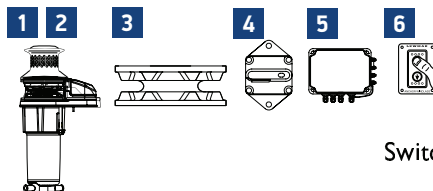
VX1L Standard windlass kit includes deck unit and inline motor gearbox, solenoid and gypsy



VX1L Extended Windlass Kits

| PART NUMBER | DESCRIPTION |
|-------------|---------------------------------|
| 69100060 | VX1L GO 500 6/7MM 1/4" EXTD KIT |
| 69100061 | VX1L GO 800 6/7MM 1/4" EXTD KIT |
| 69100062 | VX1L GO 500 8MM 5/16" EXTD KIT |
| 69100063 | VX1L GO 800 8MM 5/16" EXTD KIT |
| 69100064 | VX1L GD 500 6/7MM 1/4" EXTD KIT |
| 69100065 | VX1L GD 800 6/7MM 1/4" EXTD KIT |
| 69100066 | VX1L GD 500 8MM 5/16" EXTD KIT |
| 69100067 | VX1L GD 800 8MM 5/16" EXTD KIT |

Extended windlass kit includes deck unit and inline motor gearbox, solenoid, rocker switch, circuit breaker and gypsy



Switch kit and accessories see page 49-58

I. Windlasses



VX2/3 Vertical Windlass

Optimised for boats up to 48ft, the VX2/3 offers a maximum pull of 1175kg showing great performance and value. Built from the same principles of strength and durability as the V series, the VX2/3 units feature the same level of weight and performance optimisation as the VX1. The Hybrid Gypsy offers extended endurance under all conditions.

- 4 motor options: 700, 900, 1000 & 1500W
- IP67-rated motor housing as standard
- Maximum pull of 1175kg for boats up to 48ft
- 2 hybrid gypsy options: 6/7mm (1/4") and 8mm (5/16")

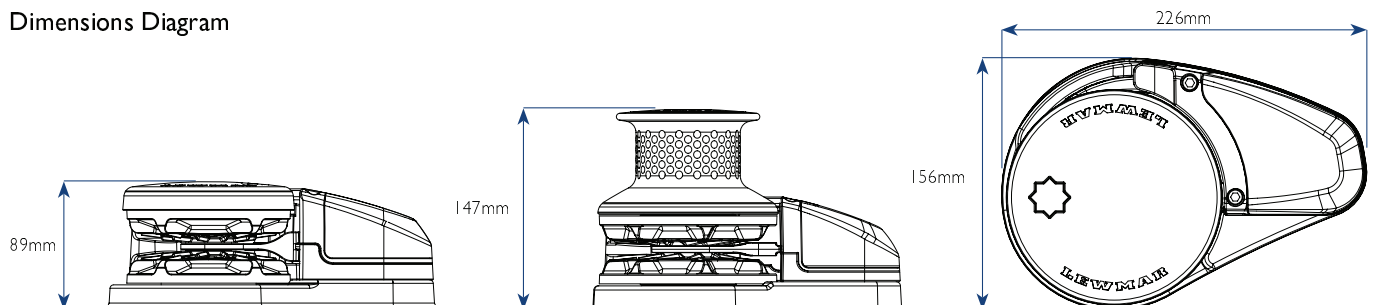


VX2/3 Specifications

| MODEL | MOTOR POWER | VOLTAGE | MAX PULL | | WORKING LOAD LIMIT | | MAX LINE SPEED | | NORMAL CURRENT DRAW AMP | CIRCUIT BREAKER AMP | APPROX WEIGHT GD | | APPROX WEIGHT GD | |
|-------|-------------|---------|----------|------|--------------------|-----|----------------|--------|----------------------------|------------------------|---------------------|----|---------------------|----|
| | | | KG | LB | KG | LB | M/MIN | FT/MIN | | | KG | LB | KG | LB |
| VX2 | 700W | 12V | 850 | 1874 | 213 | 470 | 29 | 95 | 120 | 90 | 13.9 | 31 | 14.9 | 33 |
| VX2 | 900W | 24V | 850 | 1874 | 213 | 470 | 29 | 95 | 60 | 50 | 13.9 | 31 | 14.9 | 33 |
| VX2+ | 1000W | 12V | 1025 | 2260 | 257 | 567 | 39 | 128 | 131 | 110 | 16.1 | 35 | 17.1 | 38 |
| VX2+ | 1000W | 24V | 1025 | 2260 | 257 | 567 | 39 | 128 | 74 | 90 | 16.1 | 35 | 17.1 | 38 |
| VX3 | 1500W | 12V | 1175 | 2590 | 294 | 648 | 40 | 131 | 132 | 110 | 16.1 | 35 | 17.1 | 38 |
| VX3 | 1500W | 24V | 1175 | 2590 | 294 | 648 | 40 | 131 | 70 | 90 | 16.1 | 35 | 17.1 | 38 |

Windlass performance values are tested using +/-10% 12 voltage simulating the operation parameters of an installed battery system of a boat

Dimensions Diagram



VX2 Standard Windlass Kits

| PART NUMBER | DESCRIPTION |
|-------------|------------------------------------|
| 69120020 | VX2 60 6/7MM 1/4" GYPSY 12V |
| 69120021 | VX2 60 6/7MM 1/4" GYPSY 24V |
| 69120022 | VX2 60 8MM 5/16" GYPSY 12V |
| 69120023 | VX2 60 8MM 5/16" GYPSY 24V |
| 69120024 | VX2 60 10DIN 5/16 / 3/8" GYPSY 12V |
| 69120025 | VX2 60 10DIN 5/16 / 3/8" GYPSY 24V |
| 69120026 | VX2 60 10ISO 5/16" GYPSY 12V |
| 69120027 | VX2 60 10ISO 5/16" GYPSY 24V |
| 69120050 | VX2 6D 6/7MM 1/4" GYPSY 12V |
| 69120051 | VX2 6D 6/7MM 1/4" GYPSY 24V |
| 69120052 | VX2 6D 8MM 5/16" GYPSY 12V |
| 69120053 | VX2 6D 8MM 5/16" GYPSY 24V |
| 69120054 | VX2 6D 10DIN 5/16 / 3/8" GYPSY 12V |
| 69120055 | VX2 6D 10DIN 5/16 / 3/8" GYPSY 24V |
| 69120056 | VX2 6D 10ISO 5/16" GYPSY 12V |
| 69120057 | VX2 6D 10ISO 5/16" GYPSY 24V |

VX2+ Standard Windlass Kits

| PART NUMBER | DESCRIPTION |
|-------------|-------------------------------------|
| 69120030 | VX2+ 60 6/7MM 1/4" GYPSY 12V |
| 69120031 | VX2+ 60 6/7MM 1/4" GYPSY 24V |
| 69120032 | VX2+ 60 8MM 5/16" GYPSY 12V |
| 69120033 | VX2+ 60 8MM 5/16" GYPSY 24V |
| 69120034 | VX2+ 60 10DIN 5/16 / 3/8" GYPSY 12V |
| 69120035 | VX2+ 60 10DIN 5/16 / 3/8" GYPSY 24V |
| 69120036 | VX2+ 60 10ISO 5/16" GYPSY 12V |
| 69120037 | VX2+ 60 10ISO 5/16" GYPSY 24V |
| 69120060 | VX2+ 6D 6/7MM 1/4" GYPSY 12V |
| 69120061 | VX2+ 6D 6/7MM 1/4" GYPSY 24V |
| 69120062 | VX2+ 6D 8MM 5/16" GYPSY 12V |
| 69120063 | VX2+ 6D 8MM 5/16" GYPSY 24V |
| 69120064 | VX2+ 6D 10DIN 5/16 / 3/8" GYPSY 12V |
| 69120065 | VX2+ 6D 10DIN 5/16 / 3/8" GYPSY 24V |
| 69120066 | VX2+ 6D 10ISO 5/16" GYPSY 12V |
| 69120067 | VX2+ 6D 10ISO 5/16" GYPSY 24V |

VX3 Standard Windlass Kits

| PART NUMBER | DESCRIPTION |
|-------------|------------------------------------|
| 69120040 | VX3 60 6/7MM 1/4" GYPSY 12V |
| 69120041 | VX3 60 6/7MM 1/4" GYPSY 24V |
| 69120042 | VX3 60 8MM 5/16" GYPSY 12V |
| 69120043 | VX3 60 8MM 5/16" GYPSY 24V |
| 69120044 | VX3 60 10DIN 5/16 / 3/8" GYPSY 12V |
| 69120045 | VX3 60 10DIN 5/16 / 3/8" GYPSY 24V |
| 69120046 | VX3 60 10ISO 5/16" GYPSY 12V |
| 69120047 | VX3 60 10ISO 5/16" GYPSY 24V |
| 69120070 | VX3 6D 6/7MM 1/4" GYPSY 12V |
| 69120071 | VX3 6D 6/7MM 1/4" GYPSY 24V |
| 69120072 | VX3 6D 8MM 5/16" GYPSY 12V |
| 69120073 | VX3 6D 8MM 5/16" GYPSY 24V |
| 69120074 | VX3 6D 10DIN 5/16 / 3/8" GYPSY 12V |
| 69120075 | VX3 6D 10DIN 5/16 / 3/8" GYPSY 24V |
| 69120076 | VX3 6D 10ISO 5/16" GYPSY 12V |
| 69120077 | VX3 6D 10ISO 5/16" GYPSY 24V |

VX2 Extended Windlass Kits

| PART NUMBER | DESCRIPTION |
|-------------|------------------------------------|
| 69120080 | VX2 60 6/7MM 1/4" GYPSY 12V |
| 69120081 | VX2 60 6/7MM 1/4" GYPSY 24V |
| 69120082 | VX2 60 8MM 5/16" GYPSY 12V |
| 69120083 | VX2 60 8MM 5/16" GYPSY 24V |
| 69120084 | VX2 60 10DIN 5/16 / 3/8" GYPSY 12V |
| 69120085 | VX2 60 10DIN 5/16 / 3/8" GYPSY 24V |
| 69120086 | VX2 60 10ISO 5/16" GYPSY 12V |
| 69120087 | VX2 60 10ISO 5/16" GYPSY 24V |
| 69120110 | VX2 6D 6/7MM 1/4" GYPSY 12V |
| 69120111 | VX2 6D 6/7MM 1/4" GYPSY 24V |
| 69120112 | VX2 6D 8MM 5/16" GYPSY 12V |
| 69120113 | VX2 6D 8MM 5/16" GYPSY 24V |
| 69120114 | VX2 6D 10DIN 5/16 / 3/8" GYPSY 12V |
| 69120115 | VX2 6D 10DIN 5/16 / 3/8" GYPSY 24V |
| 69120116 | VX2 6D 10ISO 5/16" GYPSY 12V |
| 69120117 | VX2 6D 10ISO 5/16" GYPSY 24V |

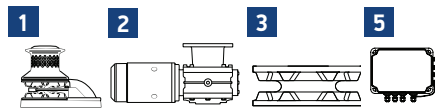
VX2+ Extended Windlass Kits

| PART NUMBER | DESCRIPTION |
|-------------|-------------------------------------|
| 69120090 | VX2+ 60 6/7MM 1/4" GYPSY 12V |
| 69120091 | VX2+ 60 6/7MM 1/4" GYPSY 24V |
| 69120092 | VX2+ 60 8MM 5/16" GYPSY 12V |
| 69120093 | VX2+ 60 8MM 5/16" GYPSY 24V |
| 69120094 | VX2+ 60 10DIN 5/16 / 3/8" GYPSY 12V |
| 69120095 | VX2+ 60 10DIN 5/16 / 3/8" GYPSY 24V |
| 69120096 | VX2+ 60 10ISO 5/16" GYPSY 12V |
| 69120097 | VX2+ 60 10ISO 5/16" GYPSY 24V |
| 69120120 | VX2+ 6D 6/7MM 1/4" GYPSY 12V |
| 69120121 | VX2+ 6D 6/7MM 1/4" GYPSY 24V |
| 69120122 | VX2+ 6D 8MM 5/16" GYPSY 12V |
| 69120123 | VX2+ 6D 8MM 5/16" GYPSY 24V |
| 69120124 | VX2+ 6D 10DIN 5/16 / 3/8" GYPSY 12V |
| 69120125 | VX2+ 6D 10DIN 5/16 / 3/8" GYPSY 24V |
| 69120126 | VX2+ 6D 10ISO 5/16" GYPSY 12V |
| 69120127 | VX2+ 6D 10ISO 5/16" GYPSY 24V |

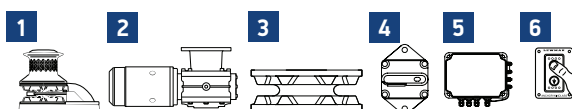
VX3 Extended Windlass Kits

| PART NUMBER | DESCRIPTION |
|-------------|------------------------------------|
| 69120100 | VX3 60 6/7MM 1/4" GYPSY 12V |
| 69120101 | VX3 60 6/7MM 1/4" GYPSY 24V |
| 69120102 | VX3 60 8MM 5/16" GYPSY 12V |
| 69120103 | VX3 60 8MM 5/16" GYPSY 24V |
| 69120104 | VX3 60 10DIN 5/16 / 3/8" GYPSY 12V |
| 69120105 | VX3 60 10DIN 5/16 / 3/8" GYPSY 24V |
| 69120106 | VX3 60 10ISO 5/16" GYPSY 12V |
| 69120107 | VX3 60 10ISO 5/16" GYPSY 24V |
| 69120130 | VX3 6D 6/7MM 1/4" GYPSY 12V |
| 69120131 | VX3 6D 6/7MM 1/4" GYPSY 24V |
| 69120132 | VX3 6D 8MM 5/16" GYPSY 12V |
| 69120133 | VX3 6D 8MM 5/16" GYPSY 24V |
| 69120134 | VX3 6D 10DIN 5/16 / 3/8" GYPSY 12V |
| 69120135 | VX3 6D 10DIN 5/16 / 3/8" GYPSY 24V |
| 69120136 | VX3 6D 10ISO 5/16" GYPSY 12V |
| 69120137 | VX3 6D 10ISO 5/16" GYPSY 24V |

Standard windlass kit includes deck unit, motor gearbox, solenoid and gypsy



Extended windlass kit includes deck unit, motor gearbox, solenoid, gypsy, rocker switch and circuit breaker



Switch kit and accessories
see page 49-58

7 Optional Accessories

Deck Spacer Kits

Min. recommended deck thickness for installation is 40mm. 15mm VX1 & VX2/3 deck spacer kit used for decks with a thickness of 10mm - 25mm.

| | PART NO. |
|---------|----------|
| VX1/2/3 | 66100143 |



Manual Recovery Kits

- Available for VX2/3
- Kit compatible with gypsy only & gypsy drum

| | PART NO. |
|------------|----------|
| GYPSY ONLY | 68120008 |
| GYPSY DRUM | 68120009 |

